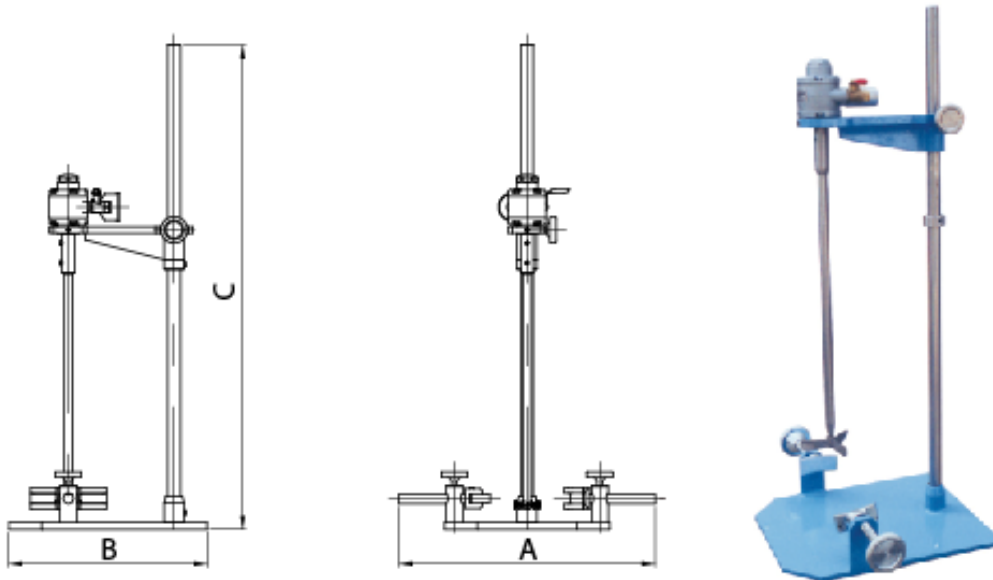




## P-Mix Dispersing and Mixer for Laboratory

### Air Series



P-Mix are explosion-proof and are ideal for safety mixing all type of solvents, lacquers and volatile chemicals without the possibility of spark ignition, Several explosion-proof models are available for your high speed, general purpose and high torque mixing applications. A needle valve allow you to very mixing speed, and a special muffler ensure quiet operation.

Model	Motor (HP)	Speed (rpm)	Mixing Cap (liters)	Impeller (mm)	Stroke (mm)	A Width (mm)	B Length (mm)	C Height (mm)	Weight (Kg)
1 AM	0.5	0 - 6000	0.5 - 4	50	274	390	300	731	13
2 AM	1.0	0 - 3000	1.0 - 10	75	323	528	380	796	
4 AM	1.7	0 - 3000	1.0 - 20	100	323	528	380	796	

P.General Products : 234 Moo.5,Prakasa Road.,Prakasa,Muang,Samutprakarn 10280 Thailand.

Tel:(662)728-5246-8 Fax:(662)728-5249

E-mail:info@p-general.com