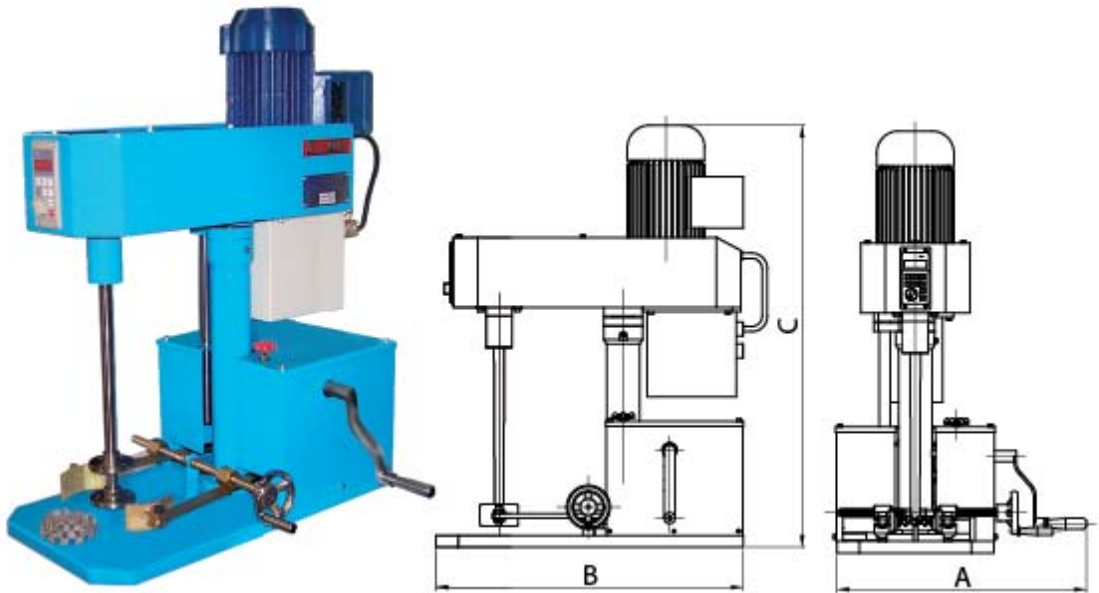




**P-Mix Dispersing and Mixer for Laboratory  
Standard Series**



Heavy duty laboratory work and wide range of capacity

- ❖ Lift up & down by hydraulic system
- ❖ Adjustable high speed inverter
- ❖ Large controller display

Option

- Explosion proof type of motor and control panel
- Homo/Basket mill type
- Multi purpose for Mixing, dispersing and milling

Model	Motor (HP)	Speed (rpm)	Mixing Cap (liters)	Impeller (mm)	Stroke (mm)	A Width (mm)	B Length (mm)	C Height (mm)	Height+ Stroke (mm)	Weight (Kg)
P-Mix 1 / 1 Ex	1	0 - 3000	1 - 10	75	370	575	705	920	1290	85 / 101
P-Mix 2 / 2 Ex	2	0 - 3000	1 - 20	75	370	575	705	920	1290	96 / 110
P-Mix 1-30/1-30 Ex	1	0 - 3000	1 - 20	100	370	575	705	920	1290	90 / 105
P-Mix 2-30/2-30 Ex	2	0 - 3000	1 - 20	100	370	575	705	920	1290	101 / 110

P.General Products : 234 Moo.5,Prakasa Road.,Prakasa,Muang,Samutprakarn 10280 Thailand.

Tel:(662)728-5246-8 Fax:(662)728-5249

E-mail:info@p-general.com