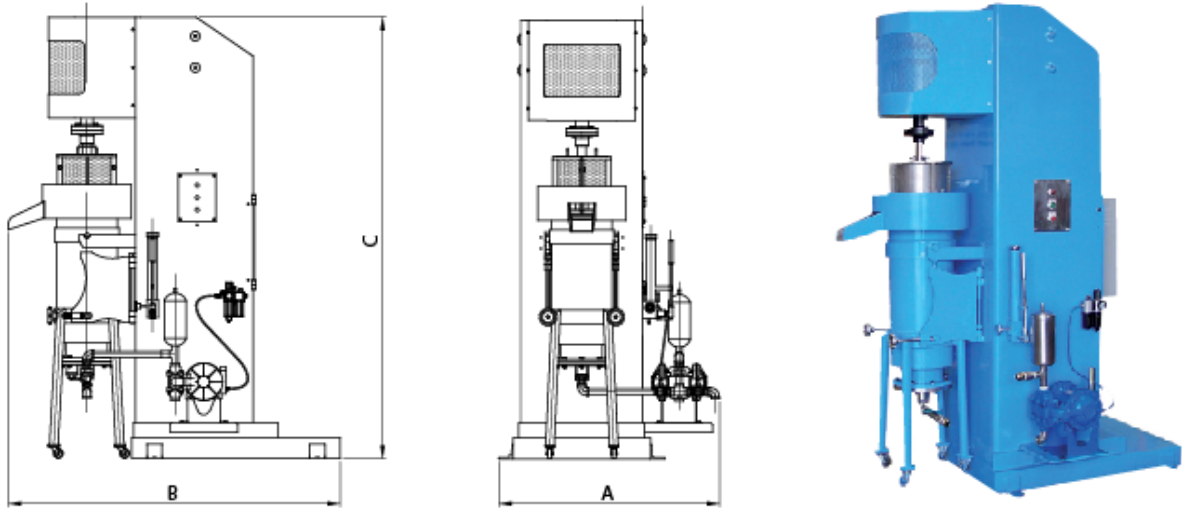




P-Mill Vertical Grinding for Production

Vertical Mill for Production



Vertical Mill for Production

- ❖ Easy to operate and maintainable
- ❖ Continuous feeder
- ❖ High performance cooling system

Option

- Explosion proof type of motor and control panel
- Water base
- Gear pump set

Model	Shell Volume (liters)	Vessel Capacity (liters)	Out-let l/h	Mill Motor (HP)	A Width (mm)	B Length (mm)	C Height (mm)	Weight (Kg)
P-Sand 5 / 5 Ex	7	6	5 - 50	3	500	820	1310	300
P-Sand 10 / 10 Ex	10	8	25 - 70	10	985	1550	2000	758
P-Sand 20 / 20 Ex	25	21.5	60 - 140	20	1135	1750	2325	800
P-Sand 50 / 50 Ex	55	50	80 - 280	50	1280	1880	2548	1345

P.General Products : 234 Moo.5,Prakasa Road.,Prakasa,Muang,Samutprakarn 10280 Thailand.

Tel: (662) 728-5246-8 Fax: (662) 728-5249

E-mail: info@p-general.com